

## PLEASE REGISTER YOUR NEW PRODUCT

To register your product online please go to:

[www.ropeflex.com/warranty-and-registration](http://www.ropeflex.com/warranty-and-registration)

Product serial number is located on equipment or is shown in the box below

SERIAL NUMBER

If serial number is not shown  
please check equipment

# ROPEFLEX®

ORYX – RX2500 DUAL  
Assembly Instructions & Manual  
DOC: 32-1019

Configuration subject to change

# WARNING DECAL PLACEMENT

The decals shown here have been placed on the equipment in indicated locations. If any of the decals are missing or illegible, call us toll-free at 650.549.5888, Monday through Friday, 9 a.m. until 5 p.m. Pacific Time, to order replacement decals. Apply replacement decals in the locations shown.

**⚠ WARNING**

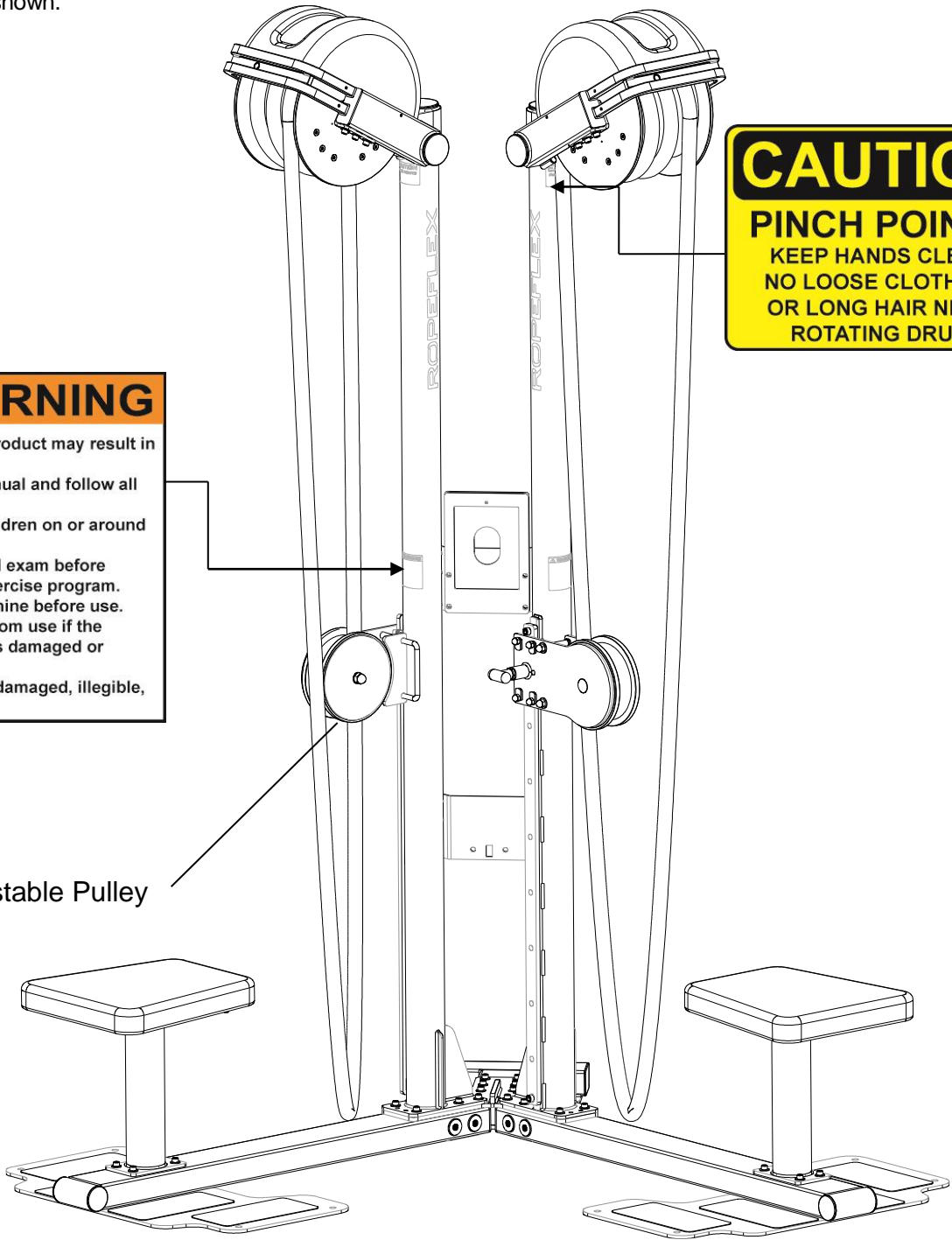
- Misuse of this product may result in serious injury.
- Read user's manual and follow all warnings.
- Do not allow children on or around machine.
- Obtain a medical exam before beginning an exercise program.
- Inspect the machine before use. Alert to refrain from use if the machine appears damaged or inoperable.
- Replace label if damaged, illegible, or removed.

**CAUTION**

**PINCH POINTS**

KEEP HANDS CLEAR  
NO LOOSE CLOTHING  
OR LONG HAIR NEAR  
ROTATING DRUM

Adjustable Pulley



## IMPORTANT PRECAUTIONS

---



**WARNING:** To reduce the risk of serious injury, read the following important precautions before using this equipment.

1. Read all instructions in this manual and assemble as described before using this equipment.
2. It is the responsibility of the owner to ensure that all users of this equipment are adequately informed of all precautions.
3. Use this equipment only on a level surface. Cover the floor beneath to protect the surface.
4. Keep children under 12 and pets away from the equipment at all times.
5. Make sure all parts are properly tightened each time you use this machine. Replace any worn parts immediately.
6. Make sure the adjustment knobs are fully engaged / disengaged before using the equipment.
7. Always wear athletic shoes for foot protection while exercising.
8. This equipment is designed to support a maximum user weight of 300 pounds.
9. Pull on one the rope only and never grab a rope in a way that prevents the drum from rotating. Never attempt to hang on the rope. Pull rope with hands only.
10. If you feel pain or dizziness at any time while exercising, stop immediately and begin cooling down.



**WARNING:** Before beginning this or any exercise program, consult your physician. This is especially important for persons over the age of 35 or persons with pre-existing health problems. Read all instructions before using. ROPEFLEX assumes no responsibility for personal injury or property damage sustained by or through the use of this product.

## Contents / Parts List

---

ITEM	QUANTITY	DESCRIPTION
1	2	RX2500 Rope Drum
2	2	RX2500D (Dual) Main Vertical Post
3	2	RX2500D (Dual) Base
4	2	RX2500 Cushioned Seat
5	2	RX2500 Seat Stand
6	2	Rope Pulley Assembly
7	36	Socket Screw 5/16"-18 x 1"
8	18	Socket Screw 5/16"-18 x 1.5"
9	54	Washer 5/16"
10	4	Socket Screw 3/8"-16 x 3/4"
11	1	Smart Device Bracket with Hipervision Module
12	2	Stiffening Bracket
13	1	Base Binding Plate
14	1	Base Back T-Support
15	1	Security Bar (installed on Smart Device Bracket with Hipervision Module)
16	2	Security Bar Screws #6-32 x 3/8"
17	2	Washer 3/8" (installed on Pulley Bracket Assembly)
18	2	Lock Nut 3/8"-16 (installed on Pulley Bracket Assembly)

## Tools Required for Assembly

---

- 3/8 Hex Key for 7/6" Socket Screw
- 3/16 or 1/4 Hex Key for 5/16" Socket Screw
- 5/16 Hex Key for 3/8" Socket Screw



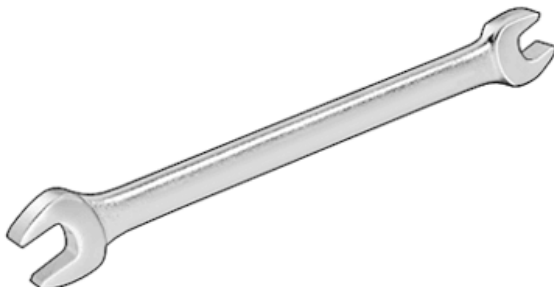
Philips #2 Screw Driver



Torx T15 Drive



9/16" Hex Open Wrench



## Product Assembly

---

### STEP 1 (Standard RX2500 Configuration)

#### Parts:

- RX2500 Seat Stand – 2x
- RX2500 Cushioned Seat – 2x

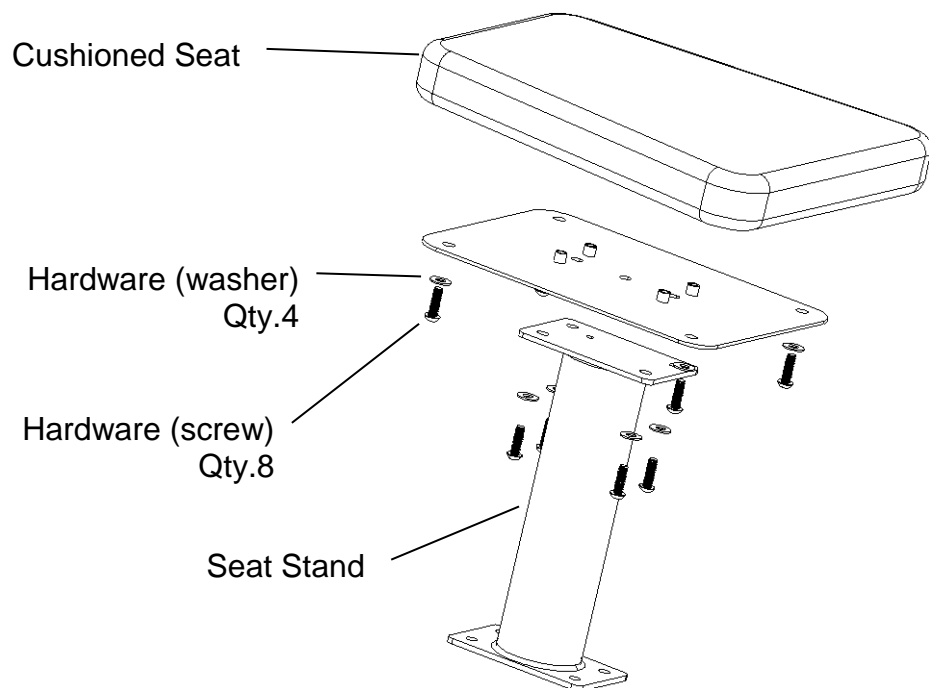
#### Hardware:

- Socket Screw 5/16"-18 x 1" – 8x
- Washer 5/16" – 8x

#### Tools:

- 3/16 or 1/4 Hex Key for 5/16" Socket Screw

- 1-1 Attach RX2500 Seat support plate to RX2500 Seat stand.
- 1-2 Install and completely tighten hardware (use screw only).
- 1-3 Attach item from step 1-2 to ORYX Seat
- 1-4 Install and completely tighten hardware (use screw & washer).



## Product Assembly

---

### STEP 2

#### Parts:

- RX2500D Main Vertical Post – 2x
- RX2500D Base – 2x
- RX2500D Base Binding Plate – 1x
- RX2500D Base Back T-Support – 1x
- RX2500 Seat Assembly – 2x
- RX2500D Stiffening Bracket – 1x

#### Hardware:

- Socket Screw 5/16"-18 x 1.5" – 18x
- Socket Screw 5/16"-18 x 1" – 12x
- Washer 5/16" – 30x

#### Tools:

- 3/16 or 1/4 Hex Key for 5/16" Socket Screw

2-1 Place 2 Base assemblies and Base Binding Plate on the floor as shown below. Binding Plate is installed on top of the Base assemblies and joins them together in the next step.

2-2 Attach both RX2500D Main Vertical Posts to Base as shown by placing them on top of the Binding Plate using 5/16"-18 x 1.5" Socket Screws with Washers. Do not tighten hardware completely.

2-2.1 Attach speed sensor cable (3.5mm mono plug) as shown

2-2.2 If applicable attach USB power cable as shown

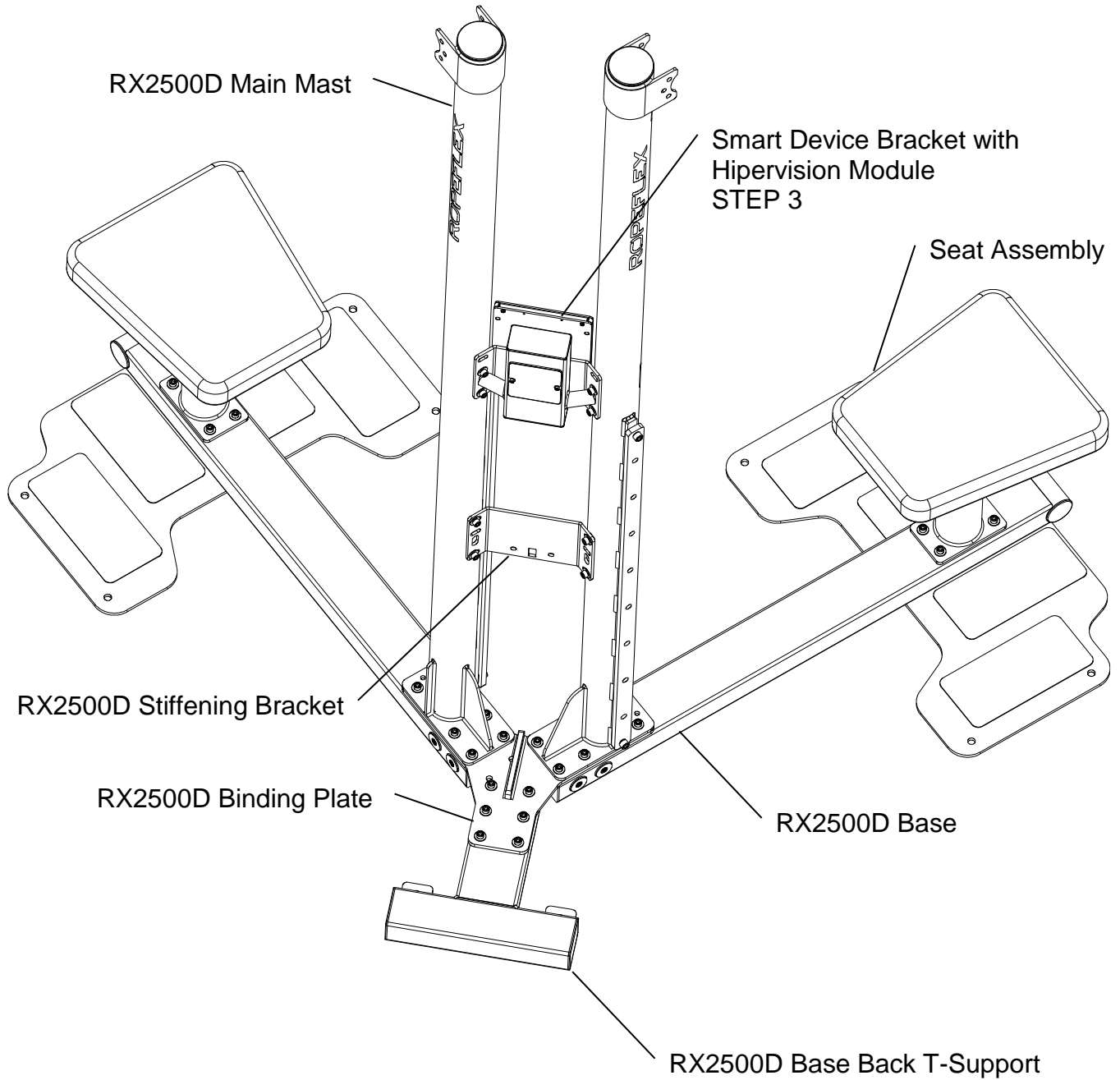
2-3 Install Stiffening Bracket as shown using 5/16"-18 x 1" Socket Screws with Washers. Do not tighten hardware completely.

2-4 Attach RX2500 Seat Assembly to RX2500D Bases as shown and completely tighten hardware (use screws and washers).

# Product Assembly

---

## STEP 2 – Illustration -01

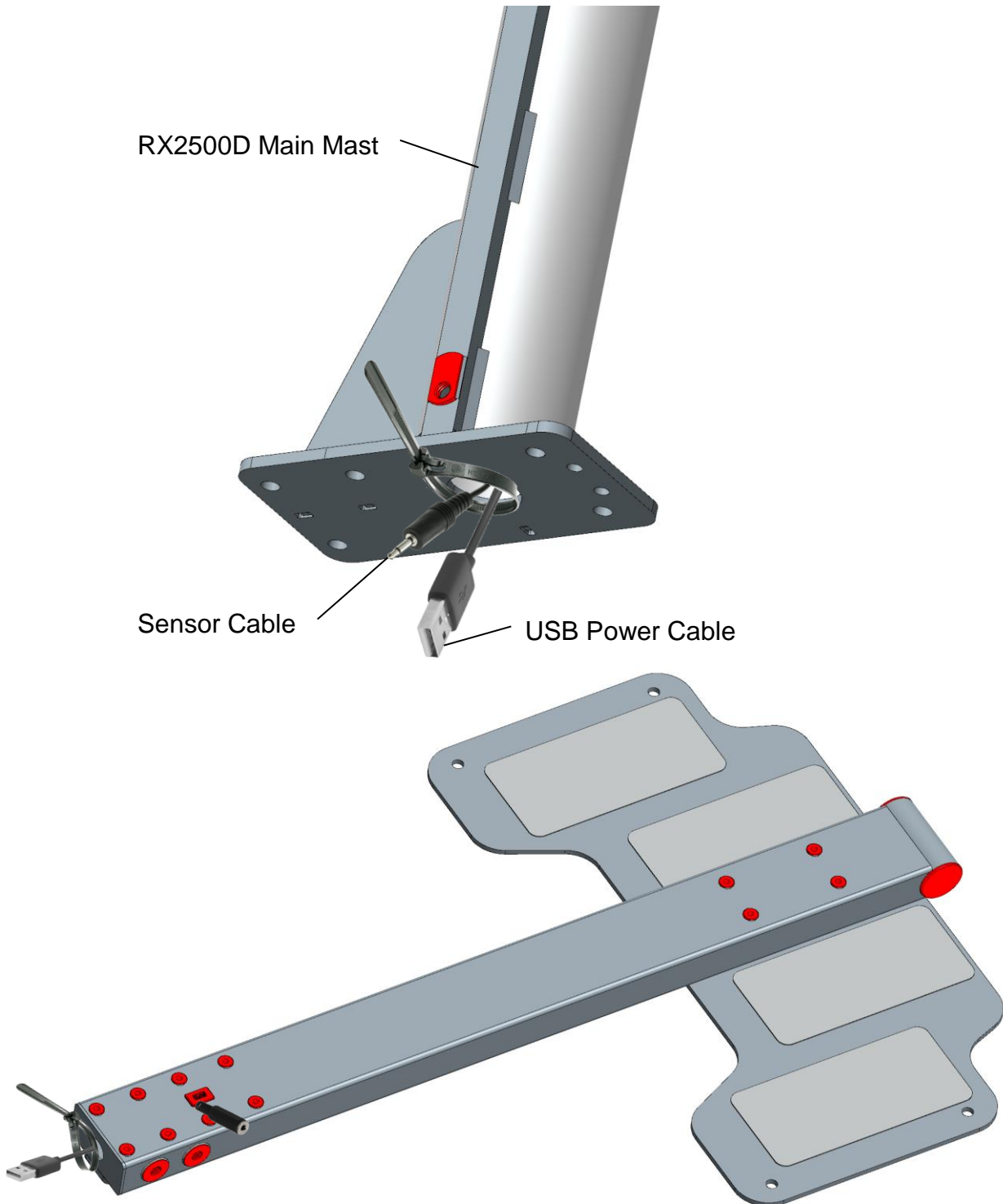




## Product Assembly

---

### STEP 2 – Illustration -02



## Product Assembly

---

### STEP 3

#### Parts:

- Assembly from STEP 2
- Smart Device Bracket with Hipervision Module
- Security Bar

#### Hardware:

- Socket Screw 5/16"-18 x 1" – 4x
- Washer 5/16" – 4x
- Torx Screw #6-32 x 3/8 – 2x

#### Tools:

- 3/16 or 1/4 Hex Key for 5/16" Socket Screw
- Torx T15 Driver

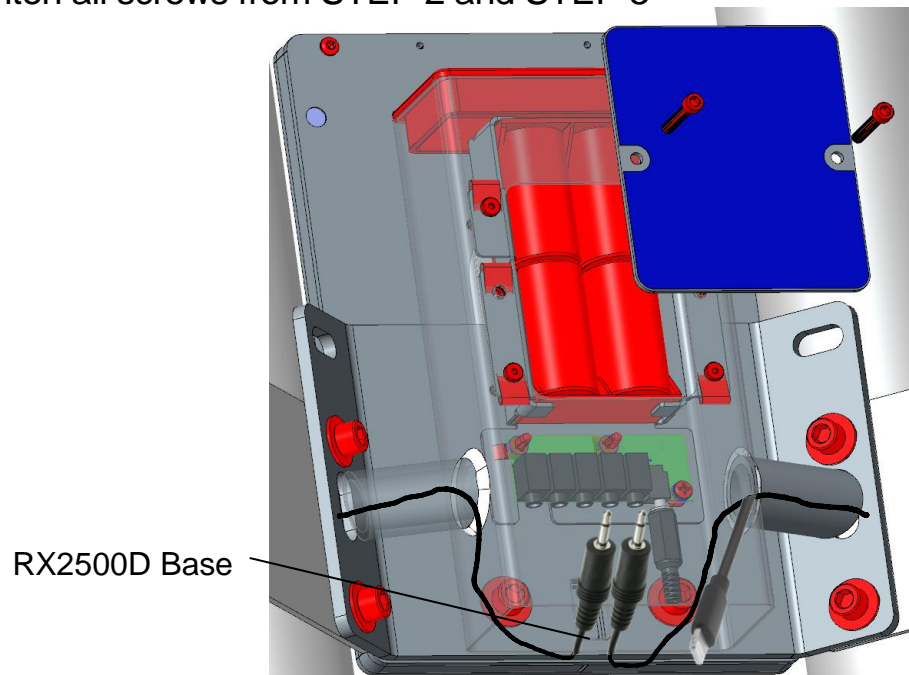
3-1 Refer to illustration. Install Smart Device Bracket with Hipervision Module as shown using screws and washers.

3-1.1 Route sensor cables coming from the mid-section of the Main Mast Assemblies and connect them as shown

3-1.2 Route Power Cable as shown

Note: Do no close opening at the bottom of the Hipervision module until all connections are tested

3-2 Fully tighten all screws from STEP 2 and STEP 3



## Product Assembly – Rope Drum installation

---

### STEP 4

#### Parts:

- Assembly from STEP 3
- RX2500 Rope Drum – 2x

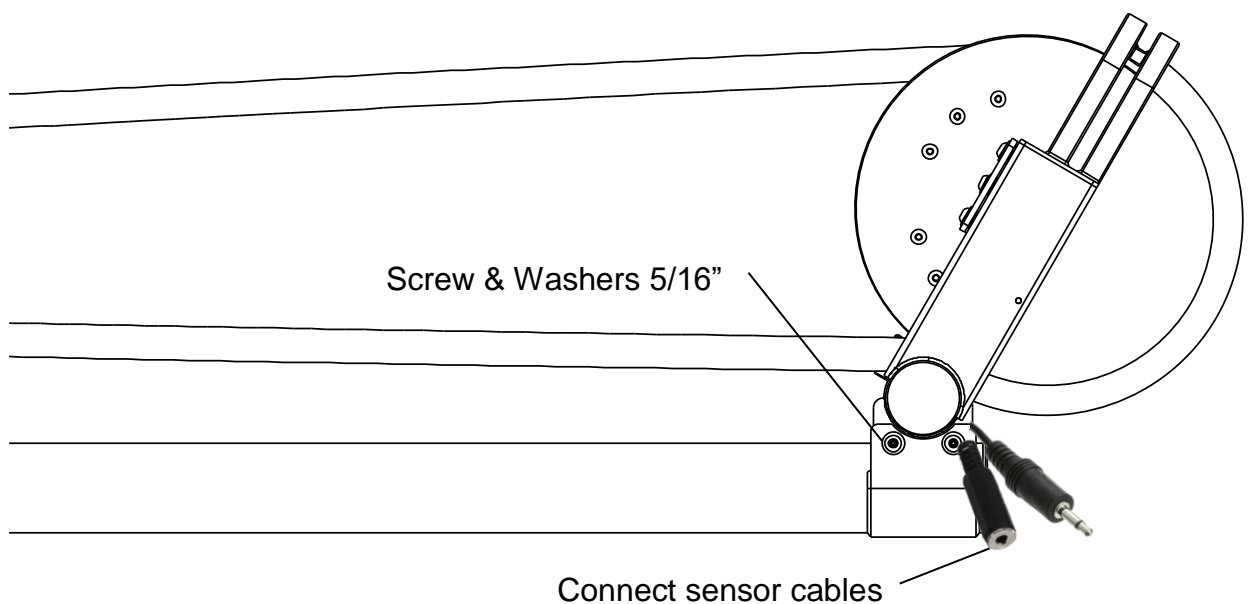
#### Hardware:

- Socket Screw 5/16"-18 x 1" – 12x
- Washer 5/16" – 16x

#### Tools:

- 3/16 or 1/4 Hex Key for 5/16" Socket Screw

- 4-1 Tilt assembly from STEP 3 and lay it down as shown.
- 4-2 Attach RX2500 Rope Drum to assembly from STEP 3 and completely tighten hardware on both sides (use screws and washers).
- 4-3 Attach sensor cable from the Drum to the connector on the RX2500 Main Vertical Post. Ensure full insertion, most of the time a "click" will be heard and felt.
- 4-4 Tilt machine back up to a standing position.



## Hipervision – iOS Version

---

Hipervision Application for iOS can be download directly from the Apple App Store. Hipervision is available on iPhone, Apple Watch and AppleTV.

Hipervision virtual training technology unlocks the following features when combined with the Ropeflex Training Equipment:

- Multiuser real-time interactive training environment
- Set goals for time or distance
- Keep track of, and accurately measure your progress
- Interval training mode for rest-and-go training
- Share results with friends and training partners
- Programmable goal presets
- Kiosk mode and many more additional features

For a hassle-free experience QR Code labels are attached to equipment. Scan using native camera app on the phone or pad and follow the link.



## Product Assembly – Pulley Assembly

---

### STEP 5

#### Parts:

- Assembly from STEP 4
- RX2500 Pulley Assembly – 2x

#### Hardware:

- Socket Screw 3/8"-16 x 3/4" – 2x
- 3/8"-16 Nut – 2x

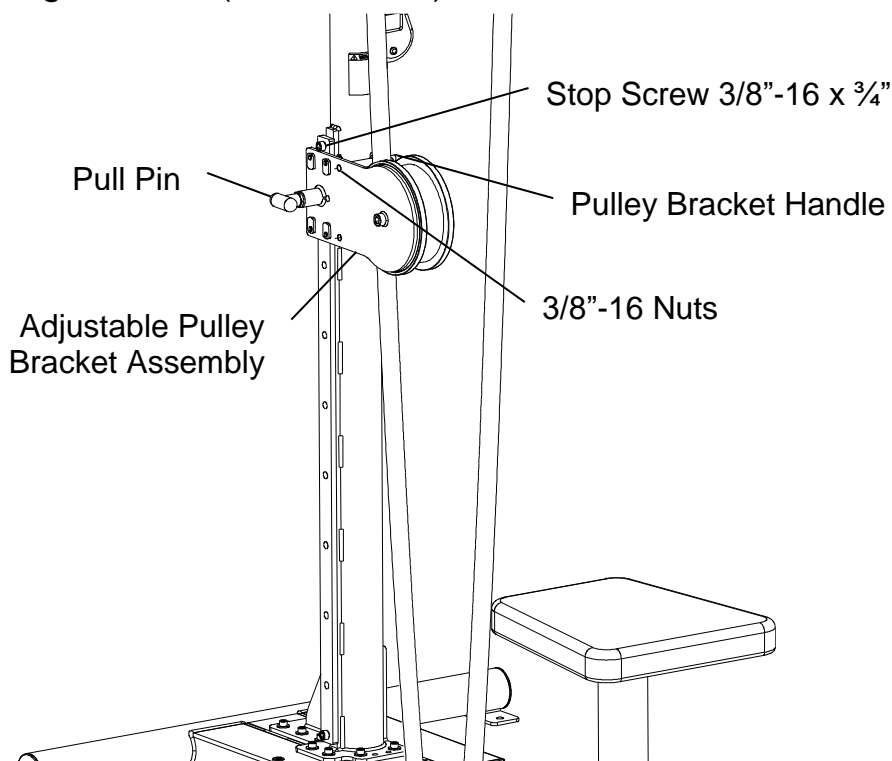
#### Tools:

- 5/16 Hex Key for 3/8" Socket Head Screws
- 9/16" Hex Open Wrench

5-1 Attach Pulley Assembly to assembly from STEP 4 by sliding it from top of the rail as shown below. Use pull pin to fix pulley in different positions.

5-2 Install "stop screw" as shown and tighten it with an appropriate hex key.

5-3 If installed, remove 2 nuts holding Pulley Bracket handle, remove the handle and position rope inside the pulley track as shown. Reinstall the bracket handle and tighten nuts (use washers).



## Product Assembly – LCD Display (not applicable on Hipervision models)

---

### STEP 6

#### Parts:

- Assembly from STEP 4
- Display Bracket
- LCD Display

#### Hardware:

- Button Head Screw 5/16" x 1"
- Washer 5/16"
- Thread Forming #4-20 Screw

#### Tools:

- 3/16 or 1/4 Hex Key for 5/16" Button Head Screws
- Philips #2 Screw Driver

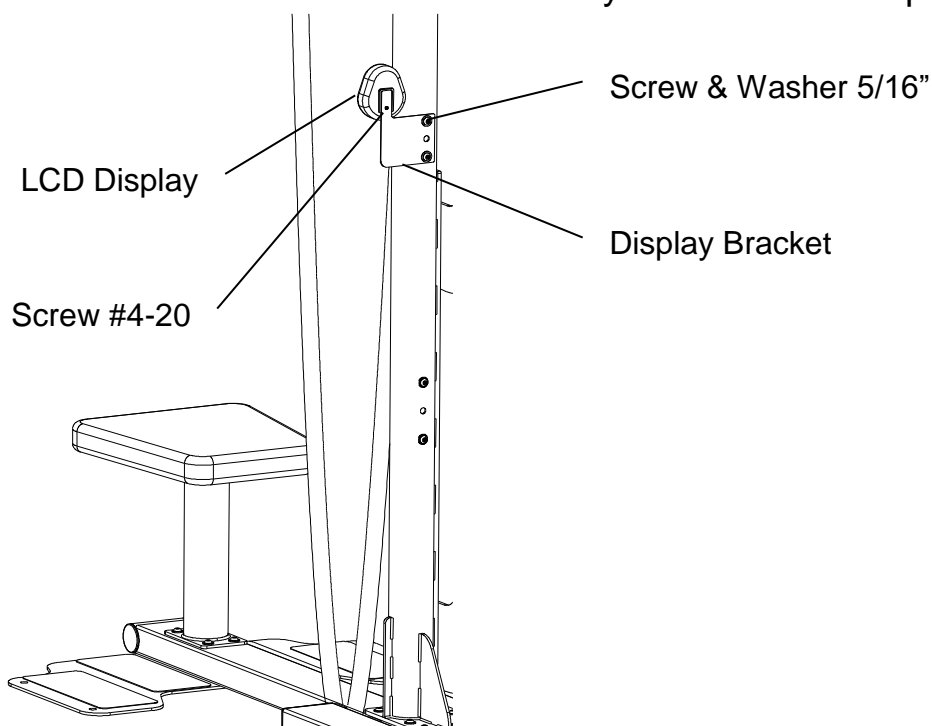
6-1 Attach Display Bracket as shown and tighten hardware (use screws and washers).

6-2 Remove bottom screw from LCD display, mount display on bracket and install Thread Forming #4-20 Screw.



Do not over-tighten screw to avoid stripping newly formed plastic threads

6-3 Attach sensor connector from RX2500 Mast to newly installed LCD Display.



## Equipment Maintenance

---

**WARNING:** Routine inspection and maintenance is of critical importance to ensure maximum safety and performance. We use the highest quality materials available, but wear is inevitable. Be advised that dangerous conditions can arise even during a warranty period. A warranty does not negate the owner's responsibility to thoroughly, carefully and daily inspect the machine. Consult your physician before starting your exercise program. For your own safety, do not begin any exercise program without proper instruction.

### 1. Check Rope

While the machine is not in use carefully inspect the rope for damage and tears. Carefully inspect connection of rope ends and make sure that stitching (threads) are not torn or damaged. Do not use equipment until damaged rope has been replaced.

### 2. Upholstery

Wipe down after every workout.

Periodically take the time to use a mild soap or mild vinyl upholstery cleaner. Avoid using any abrasive cleaner not intended for use on vinyl.

Keep sharp or pointed objects out of your pockets and clear of all upholstery.

### 3. Nuts/Bolts/Fasteners

Periodically inspect all nuts and bolts. Tighten if needed. If bolts seem to loosen periodically, use Loctite 242 for a long-term cure.

Go through a re-tightening sequence periodically to ensure that all hardware is properly tensioned.

### 4. Adjustments / Locking Pins / Tightening Knobs

Check all pieces for signs of visible wear or damage.

Check springs in Snap Links and Pop Pins for proper tension and alignment.

If the spring sticks or has lost its rigidity, replace it immediately.

### 5. Anti-Skid Surfaces

Replace if they appear worn or become slippery.

### 7. Warning Instruction Labels

Inspect and familiarize yourself with all safety warnings and other user information on decals. Replace decals if damaged, illegible, or removed.

## WARRANTY

---

We strive to offer the simplest and fastest resolution to all product related concerns. Our warranty service program gives its customers the option to return the product for repair, exchange or refund if the product is determined to be defective.

- All products are warranted to the original purchaser and must be registered to receive coverage.
- Warranties apply and cover all defects in material and workmanship.

WARRANTY	
Frame (not coatings)	10 years
Structural parts	10 years
Pulleys	5 years
Bearings	5 years
Labor	1 year
Electronics	1 year
Rope / Upholstery	6 months
Accessories	6 months

- Customer is responsible for the cost of shipment to ROPEFLEX. Company “ship to” address for product returns and service will be provided once the RMA has been issued. It will be at ROPEFLEX’s discretion to determine the party responsible for cost of shipment back to customer.

Out-of-Warranty Products are repaired only with the customer’s prior approval. If you have any questions regarding ROPEFLEX equipment or any instruction found in this document, please call 650.549.5888 for assistance.



If you have any questions regarding ROPEFLEX equipment or any instruction found in this document, please call 650.549.5888 for assistance.