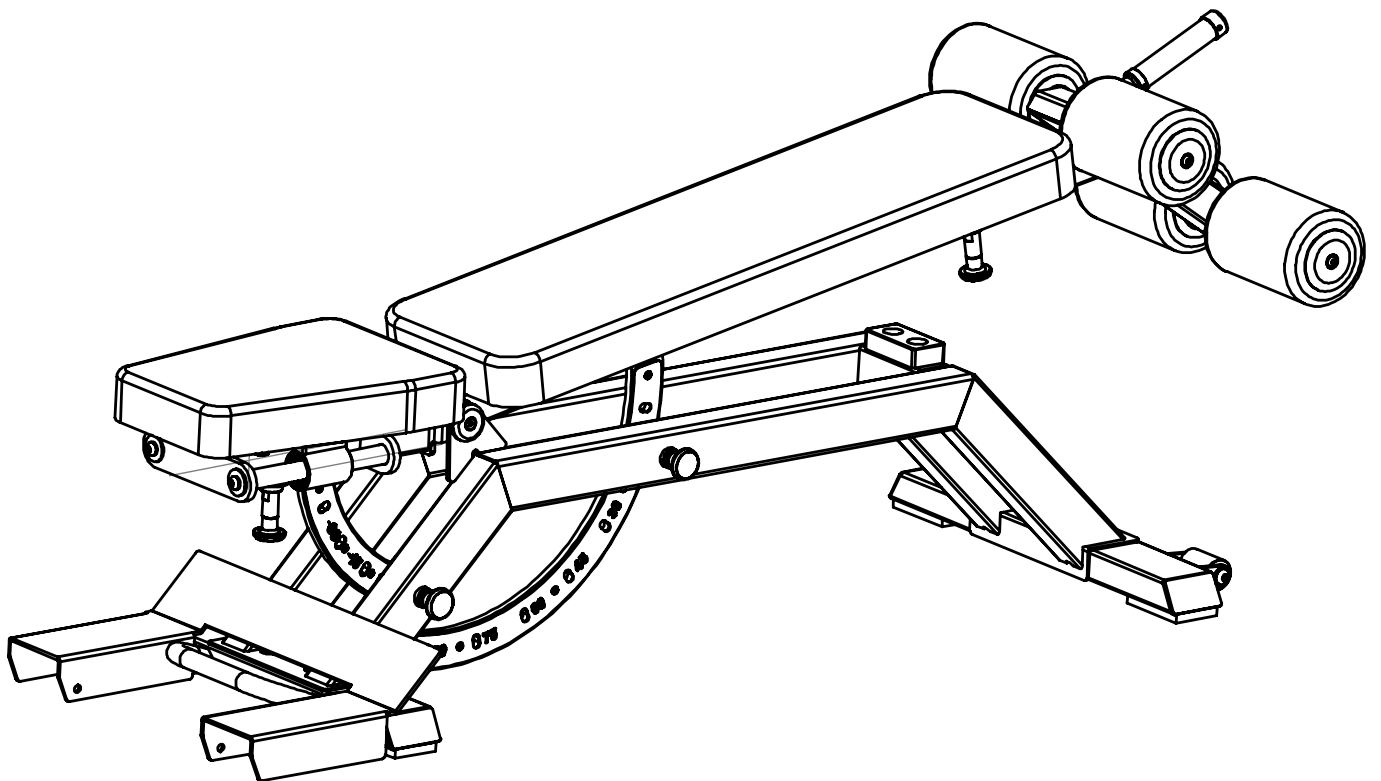


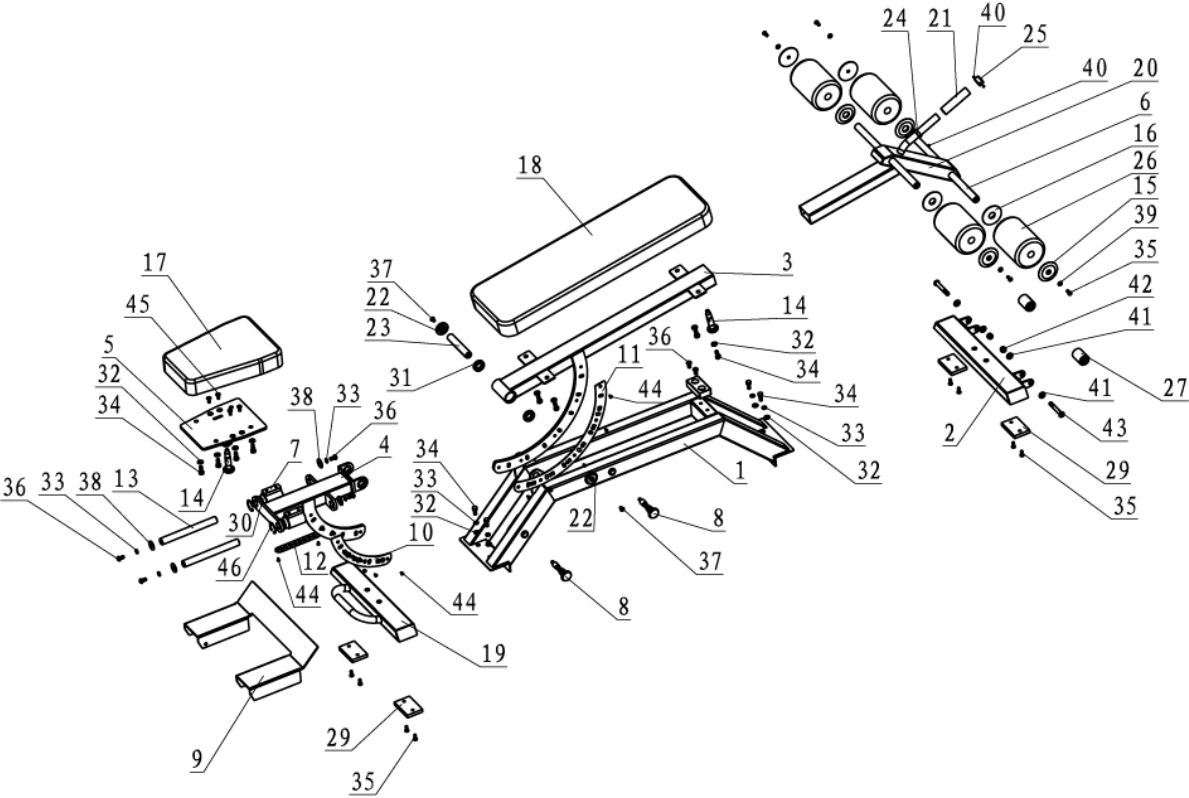
LACERTOSUS[®]

ELITE ADJUSTABLE BENCH

LAB-E



EXPLODED DRAWING & PARTS LIST



Parts List

No.	Description	Q'ty	No.	Description	Q'ty
1	Main Frame	1	24	Handle Retaining Ring $\Phi 33 \times 10$	1
2	Rear Base Frame	1	25	Handle Cap $\Phi 33 \times \Phi 26 \times 19$	1
3	Support Frame of Back Pad	1	26	End Cap $\Phi 125 \times \Phi 26 \times 180$	4
4	Rotate Frame of Seat Pad	1	27	Barbell Bar Rotating Sleeve $\Phi 40 \times \Phi 12.2 \times 59$	2
5	Adjustable Frame of Seat Pad	1	28	Rubber Mat $100 \times 50 \times 25$	1
6	Foam pipe assembly welding	2	29	Rubber Mat $100 \times 65 \times 12$	4
7	Guide rod sleeve	2	30	Bearing LB254058	2
8	Pins	2	31	Bearing 61905ZZ	2
9	Foot Plate	1	32	Flat Washer $\Phi 11 \times \Phi 20 \times 2$	12
10	Front Scale plate	1	33	Spring Washer $\Phi 10$	8
11	Rear Scale plate	1	34	Allen Bolt M10*25	12
12	Cushion adjustment guard Plate	1	35	Allen Bolt M8*20	12
13	Guide Rod	2	36	Allen Bolt M10*20	6
14	Pull Pins	2	37	Allen Bolt M8*15	2
15	Stopper Cushion	4	38	Flat Washer $\Phi 11 \times \Phi 34 \times 3$	4
16	Stopper Inner Cushion	4	39	Flat Washer $\Phi 9 \times \Phi 16 \times 1.6$	4

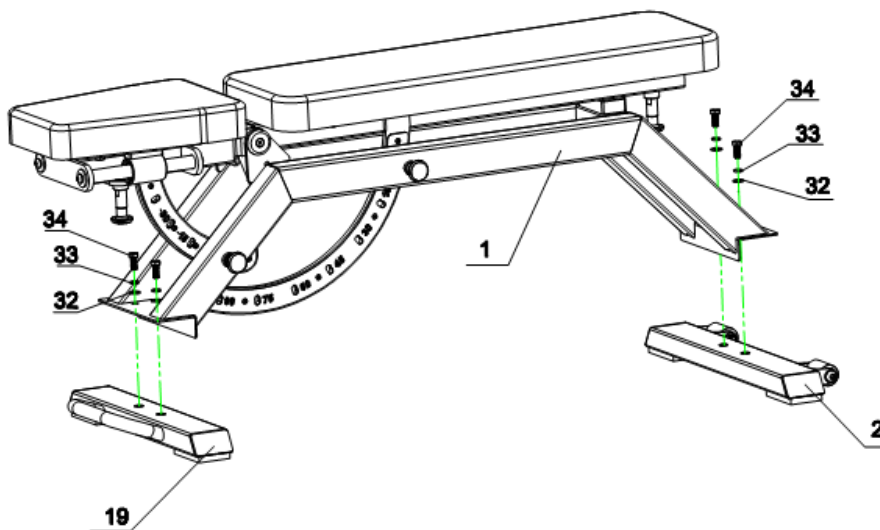
17	Seat Cushion	1	40	Allen Bolt M12*140	3
18	Back Cushion	1	41	Flat Washer $\Phi 13.5 \times \Phi 24 \times 2.5$	4
19	Front Base Frame	1	42	Nut M12	2
20	Foam Frame	1	43	Allen Bolt M12*85	2
21	Handle Sleeve $\Phi 24 \times 3 \times 120$	1	44	Allen Bolt M5*10	11
22	End Cap $\Phi 48 \times 25.2 \times 11$	2	45	Allen Bolt M8*20	4
23	Rotating shaft $\Phi 25 \times 140 \times M8$	1	46	Ring $\Phi 40$	2

ASSEMBLY

STEP 1

Assemble Main Frame (1) and Rear / Front Base Frame (2/19) using Flat Washer (24), Nut M12 Flat Washer $\Phi 11 \times \Phi 20 \times 2$ (32), Spring Washer $\Phi 10$ (33) and Allen Bolt M10*25 (34).

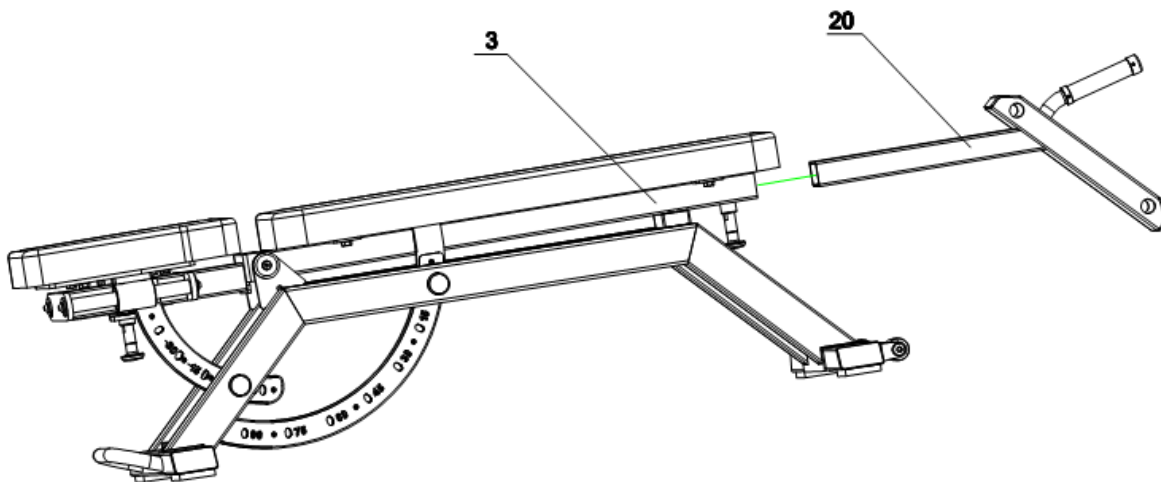
Please tighten all bolts.



STEP 2

Install of Foam Frame (20) to Support Frame of Back Pad (3).

Please tighten all the bolts.



STEP 3

Install Foam pipe assembly welding (6) Stopper Inner Cushion (16) End Cap $\Phi 125 \times \Phi 26 \times 180$ (26) to Foam Frame (20) using Allen Bolt M8*20 (35), Flat Washer $\Phi 9 \times \Phi 16 \times 1.6$ (39)

Please tighten all the bolts.

